

Series T95 LA

folded sheer beam load cell
for high accuracy weighing

- ◆ **Stainless steel load sensor**
- ◆ **Fully welded construction sealed to IP68**
- ◆ **Ease of installation**
- ◆ **Load cell is always in tension**
- ◆ **OIML C3 approval**
- ◆ **Auto-phoretic toughened surface (assembly only)**
- ◆ **Integral lift off prevention**
- ◆ **Ideal in vibrating applications**
- ◆ **Unique damping feature**



Capacities 2000 kg to 20000 kg

The T95 LA range comprises both stainless steel and alloy steel load cells complete with toughened, auto-phoretic finish loading assembly. Although the assembly is used in compression, the cell is mounted in a pendulum and operates in tension. This ensures that the load point is always maintained through the central axis of the cell, even when the assembly is subjected to considerable movement or misalignment.

The T95LA is most suitable for high accuracy applications and where movement or vibration are present, e.g. mixers, catalyst vessels, weighing platforms, axle weighers and weighbridges. Load cells available in ATEX approved version for hazardous area applications.



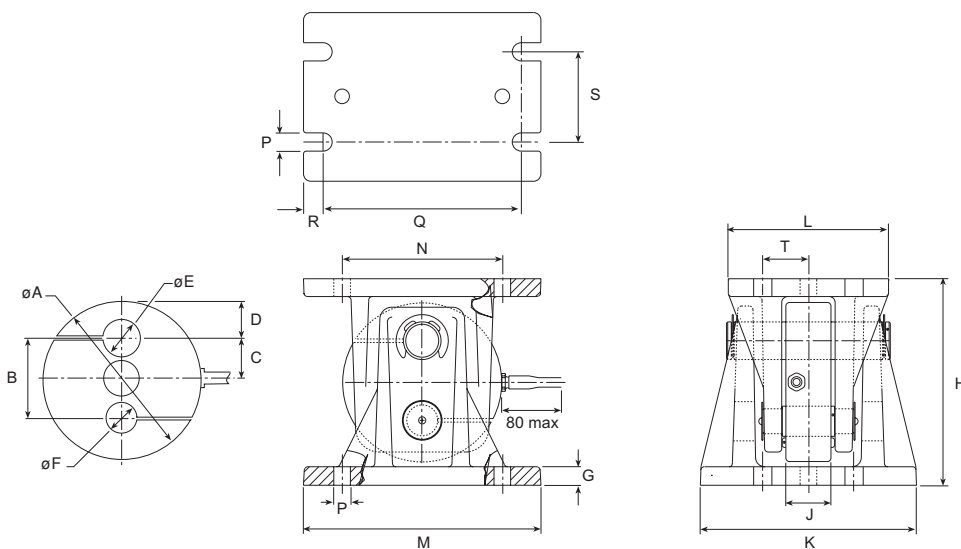
Avery Weigh-Tronix

Series T95 LA folded shear beam load cell

Specifications

	Accuracy Class		Units
	Commercial	C3#	
Rated Output	2	2	mV/V \pm 0.25%
Combined Error	< \pm 0.05		%*
Non-repeatability	< \pm 0.02	In accordance	%*
Temperature Effect on Zero Balance	< \pm 0.0025	with OIML R60	%*/ $^{\circ}$ C
Temperature Effect on Span	< \pm 0.0035		%*/ $^{\circ}$ C
Compensated Temperature Range	-10 to +40		$^{\circ}$ C
Operating Temperature Range	-40 to +80	-40 to +80	$^{\circ}$ C
Safe Overload	150	150	%*
Ultimate Overload	300	300	%*
Zero Balance	< \pm 1	< \pm 1	%*
Input Resistance	380	380	Ω \pm 30
Output Resistance	350	350	Ω \pm 1.5
Insulation Resistance	>5000	>5000	M Ω @ 100V
Recommended Supply Voltage	10	10	V
Maximum Supply Voltage	15	15	V

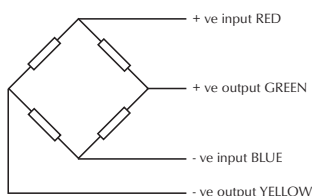
*With respect to rated output



Range (kg)	ϕ A	B	C	D	ϕ E	ϕ F	G	H	J	K	L	M	N	P	Q	R	S	T
2000 - 10000	134	66	35	32	32.5	26	15	174	38	182	135	200	135	16	170	15	70	35
20000	187	87	40.5	53	48	36	22	245	57	252	186	260	185	20	218	21	100	50

All dimensions are in mm.

Note: cell performance is characterised when tested in the specified loading assembly.



Electrical Connectivity

Via 4-core, 4 m (15 m for 20000 kg model), 6 mm diameter, screened polyurethane cable. Screen not connected electrically to load cell.

Shipping Weights:

2000 kg - 10000 kg = 28 kg
20000 kg = 50.0 kg

Construction

Load cell manufactured from 17-4PH stainless steel heat treated to H900 condition - 1379N/mm² UTS.

© Avery Berkel Limited 2005. All rights reserved. This publication is issued to provide outline information only which, unless agreed by Avery Berkel Limited in writing, may not be regarded as a representation relating to the products or services concerned. Avery Berkel Limited reserves the right to alter without notice the specification, design, price or conditions of supply of any product or service.

Foundry Lane, Smethwick,
West Midlands, England B66 2LP.

Tel: +44 (0)870 90 34343

Fax: +44 (0)121-224 8183

E mail: info@awtxglobal.com

Internet: <http://www.averyweigh-tronix.com>

Avery Weigh-Tronix