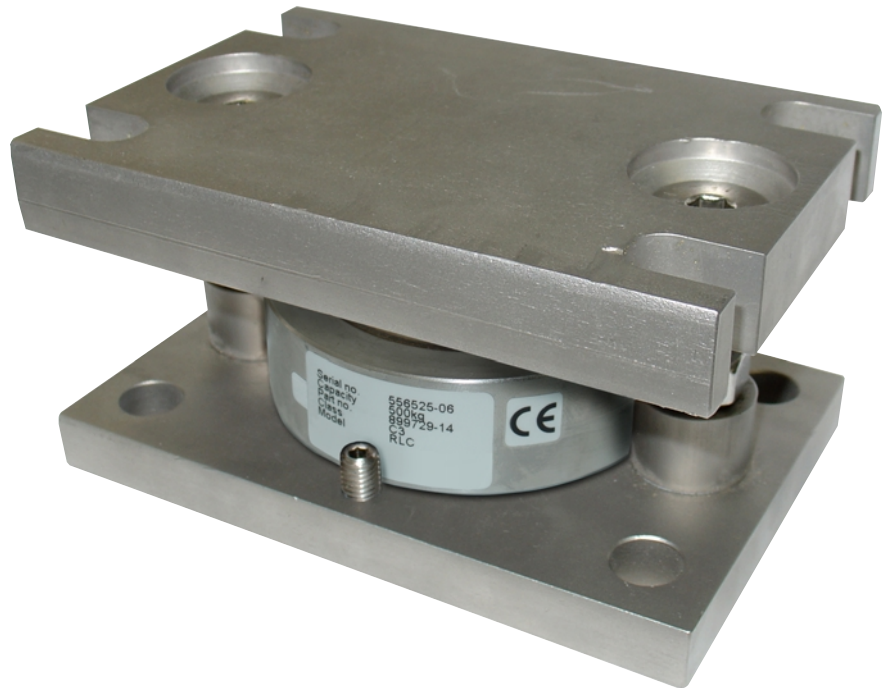


RLC

Tank Mounts

heavy duty, high accuracy compression load cells

- ◆ OIML C6
- ◆ Individual cell capacities 0.25, 0.5, 1, 2, 3.5, 5 & 10 metric tons
- ◆ All stainless steel construction
- ◆ Hermetically sealed load cell IP68
- ◆ Tolerant of angular misalignment
- ◆ Low profile
- ◆ Integral lift-off protection
- ◆ Jacking capability included
- ◆ ATEX version available



Capacities 0.25 to 10 metric tons

The RLC Tank Mount is available in kits of three or four cells. It is specifically designed for the support of tanks, silos and hoppers. This makes it ideal for indoor or outdoor process control applications when high accuracy weighing is required.

The RLC Tank Mount is designed to support a uniformly distributed load and is capable of tilting through a maximum of $\pm 3^\circ$ from vertical. Its compact assembly offers simple installation. The heavy gauge, stainless steel construction provides a rigid and robust load cell for high accuracy and long life in harsh industrial environments.

The RLC Tank Mount incorporates lift off protection and allows for thermal expansion of the weighing vessel.

Avery Weigh-Tronix

RLC Tank mounts

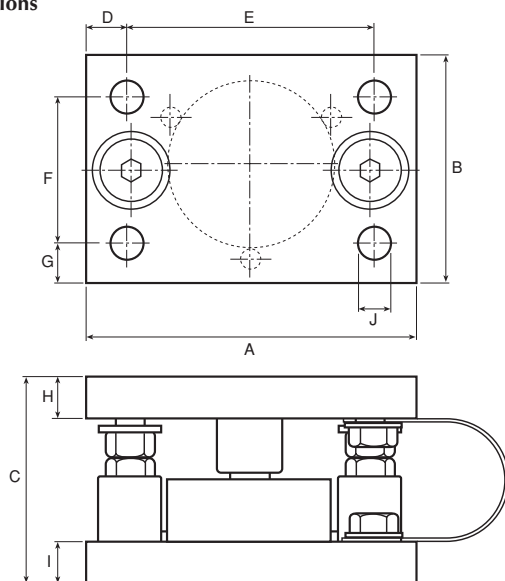
A built-in jacking capability allows the RLC Tank Mount to be installed in the jacked-up position without the load cell. This makes installation much easier and prevents the possibility of damage to the load cell. Using the built-in jack the load cell can be replaced by raising the unit only 6 mm.

The internal roller assembly can be positioned to accommodate thermal expansion of the tank in either direction.

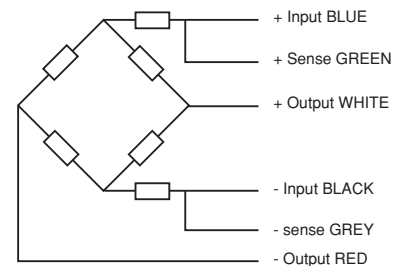
Specifications

Construction	Stainless steel
Capacities	0.25, 0.5, 1, 2, 3.5, 5, & 10 metric tons per load cell
Recommended Excitation Voltage	10 V AC or DC
Input Resistance	1065 $\Omega \pm 50$
Output Resistance	1000 Ω nominal
Output at Rated Capacity	2.0m V/V $\pm 0.1\%$, depending on capacity
Total Error	$\pm 0.050\%$ of applied load
Temperature Range (Operating)	-30° C to +70° C
Temperature Range (Compensated)	-10° C to +40° C
Safe Overloading Rating	150% of rated capacity
Maximum Overload Rating	300% of rated capacity
Deflection at Rated Capacity	<5.0 mm
Insulation impedance	>2000 M Ω

Dimensions



Electrical connections



Range t	A	B	C	D	E	F	G	H	I	øj
0.25, 0.5, 1, 2,	150	100	75	15	120 crs	70 crs	15	20	15	13 (x8)
2, 3.5, 5	160	110	100	20	120 crs	70 crs	20	20	20	16 (x8)
10	210	120	110	17.5	175 crs	85 crs	17.5	30	20	18 (x8)

N.B. Two sizes of 2t load cell assemblies available

All dimensions in mm.

© Avery Berkel Limited 2006. All rights reserved. This publication is issued to provide outline information only which, unless agreed by Avery Berkel Limited in writing, may not be regarded as a representation relating to the products or services concerned. Avery Berkel Limited reserves the right to alter without notice the specification, design, price or conditions of supply of any product or service.

Foundry Lane, Smethwick,
West Midlands, England B66 2LP.

Tel: +44 (0)870 90 34343

Fax: +44 (0)121-224 8183

E mail: info@awtxglobal.com

Internet: www.averyweigh-tronix.com

Avery Weigh-Tronix