

LeverMount Lite

a unique, patented & cost effective solution for process weighing applications

- ◆ Purpose-designed Stainless steel load cell & mount arrangement
- ◆ Load cell removal without jacking or dummies
- ◆ Highly stable three point mounting
- ◆ Easily configurable for Radial or tangential mounting
- ◆ Allows for vessel expansion & contraction
- ◆ LeverMount can be raised and lowered under load without jacking
- ◆ Straightforward, low cost installation without specialist tooling
- ◆ Substantial lift off prevention
- ◆ Tolerant of steel work misalignment
- ◆ Stainless steel OIML C3 approved load cell, fully welded, sealed to IP68



Capacities 20 kg, 50 kg, 100 kg & 200 kg

LeverMount Lite is a single-ended, shear beam type load cell weighing assembly.

Welded construction ensures total environmental sealing coupled with excellent long term stability.

LeverMount Lite is the latest development from the highly successful LeverMount load cell weighing assembly product range from Avery Weigh-Tronix.

Process weighing installations are made easier, safer and more cost effective using this simple, innovative design.

Load cell approved to 3,000 divisions OIML R60 Class C.

Load cell available in ATEX approved version for hazardous areas applications.

Avery Weigh-Tronix

LeverMount Lite load cell weighing assembly

Specifications

	Load Cell Specifications	Units
Capacities	20, 50, 100, 200	kg
Rated Output	2	mV/V $\pm 0.1\%$
Accuracy Class	3000	n.OIML
Combined Error	$< \pm 0.017$	%*
Non-repeatability	$< \pm 0.015$	%*
Creep (30 minutes)	$< \pm 0.016$	%*
Temperature Effect on Zero Balance	$< \pm 0.01$	%*/°C
Temperature Effect on Span	$< \pm 0.006$	%*/°C
Compensated Temperature Range	-10 to +40	°C
Operating Temperature Range	-20 to +50	°C
Safe Overload	150	%*
Ultimate Overload	200	%*
Zero Balance	$< \pm 1$	%*
Input Resistance	400	$\Omega \pm 20$
Output Resistance	350	$\Omega \pm 3$
Insulation Resistance	> 5000	M Ω @ 100V
Recommended Supply Voltage	10	V
Maximum Supply Voltage	15	V
Cable Length	3	m
Protection Class	IP68	

*With respect to rated output

Shipping Weights

20 kg, 50 kg, 100 kg, 200 kg = 2 kg

Construction

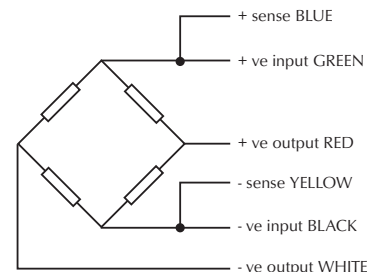
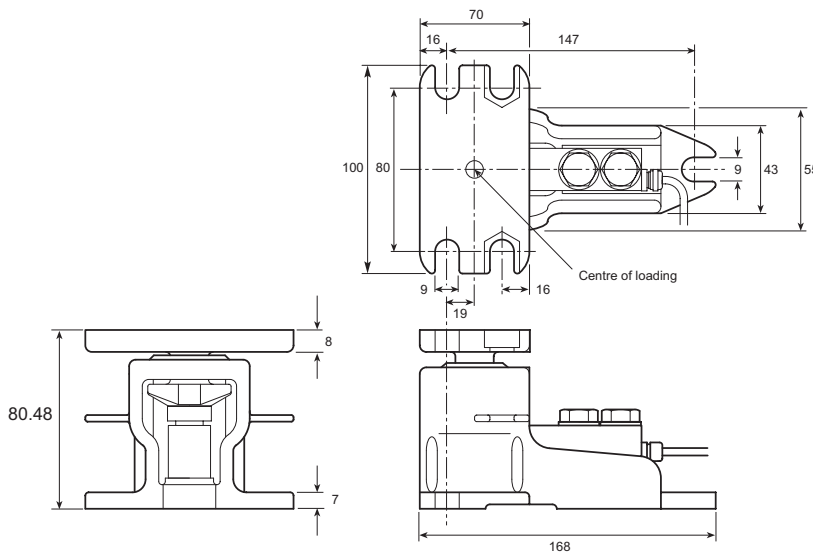
Mount manufactured from cast 316 stainless steel.

Load cell manufactured from high strength stainless steel, electro-polished, fully welded and sealed to IP68.

Electrical Connections

*Via 6-core, 7/0.2 mm (0.22 mm²), screened pvc cable.

In all cases screen is not connected electrically to the load cell.



© Avery Berkel Limited 2005. All rights reserved. This publication is issued to provide outline information only which, unless agreed by Avery Berkel Limited in writing, may not be regarded as a representation relating to the products or services concerned. Avery Berkel Limited reserves the right to alter without notice the specification, design, price or conditions of supply of any product or service.

Foundry Lane, Smethwick,
West Midlands, England B66 2LP.

Tel: +44 (0)870 90 34343

Fax: +44 (0)121-224 8183

E mail: info@awtxglobal.com

Internet: <http://www.averyweigh-tronix.com>

Avery Weigh-Tronix