

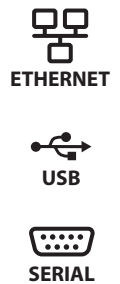


ZM305
IP69K Stainless Steel Enclosure
IBN Display
IP69K

ZM305 GTN
IP69K Stainless Steel Enclosure
IBN Display
IP69K

Indicators to measure and control your daily operations.

Technical Specification



DESCRIPTION

These high performance, multi-function indicators give you the flexibility required to suit your applications.

Suitable for the office, dusty, wet or high pressure and heavy washdown environments, the ZM305 series will analyze, store, display and transmit data across a range of technology methods to meet your specific installation.

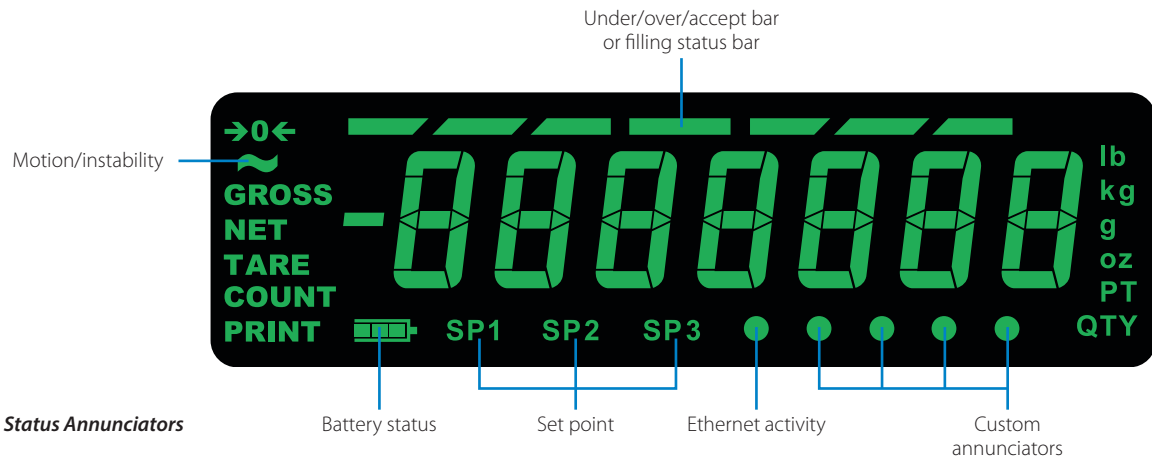
SPECIFICATIONS

GENERAL

Operating Applications	ZM305 Standard General weighing, in-motion weighing, accumulation, check weighing, counting, peak measurement, batching and remote display ZM305 GTN Inbound-Outbound , 1000 Fleet In/Out transaction storage and calculations
Unit of Measure	Six, configurable (Pounds, Kilograms, Ounce, Gram, Pound/Ounce, Custom), up to four can be active
Capacity Selections	9,999,999 with decimal located zero to five places
Incremental Selections	Multiples and sub-multiples of 1, 2, 5
Programmable Selections	Zero range, motion detection, automatic zero tracking, five point linearization
Time and Date	Battery backed up time/date/year (12 hr AM/PM or 24 hour format)
Calibration	Two to five points stored
Analog to Digital Measurement Rate	80 Hz
Internal Resolution	53,687,100 counts per mV/V per second
Digital Filtering	Harmonizer filtering with adaptable constant and threshold
Self Diagnostics	Display, keys, inputs, outputs, serial port, Scale A to D, USB port and option cards
Dynamic Weighing	Minimum nominal weigh time 100 milliseconds, recommended minimum three hundred milliseconds.

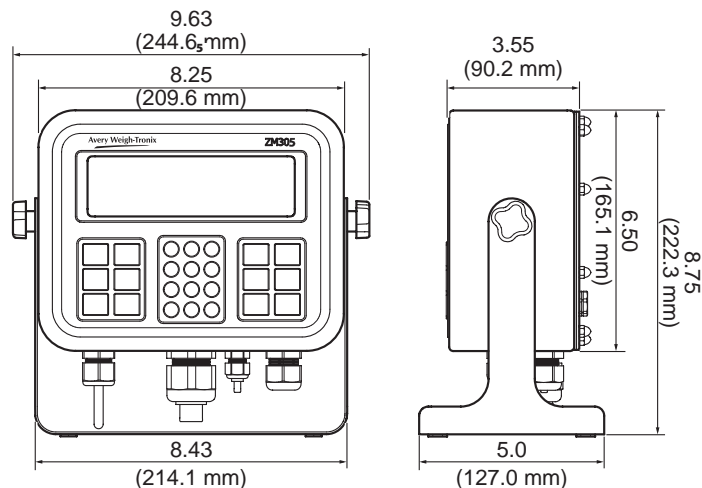
USER INTERFACE

Keypad	24 key chemical resistant keypad with metal domed tactile feedback
Operational Keys	ZM305: Zero, Print, Units, Tare, Select, Sample, Target, ID, Start, Stop, 0-9, Decimal, Clear, Setup and F1 ZM305 GTN: Zero, Print, Units, Tare, Select, Fleet, Setup, ID, In/Out, Report, Start, Stop, 0-9, Decimal and Clear
Status Annunciators	Center of Zero, Motion, Gross, Net, Tare, Count, Print, Battery status, Set point 1,2,3, Over/Under/Accept bar graph or fill bar graph, lb, kg, gram, oz, Preset Tare, Quantity, Custom unit of measure, Active Ethernet connection.
Display	<i>IBN illuminated:</i> seven digit, nine segment display, green characters with black background 0.8" (20 mm) high digits Annunciators for status and mode identification Sortbar/Checkweigher segments
Display Rate	Selectable (1, 2, 5, 10, 20) times per second



PHYSICAL

Enclosures	<i>Stainless steel:</i> 304 brushed stainless steel (IP69K certified) with GORE® Vent ventilation and tilt stand with provisions for desk, wall and column mounting
Operating Temperature	14° F to 104° F / -10° C to 40° C (Compliance with legal for trade requirements) -4° F to 140° F / -20° C to 60° C (industrial) 10 to 90% humidity non condensing
Shipping Weight	Stainless steel: 8.09 lb (4.05 kg)
Dimensions (L X W X H)	<i>Stainless steel:</i> 9.6" x 5" x 8.8" (243 mm x 127 mm x 223 mm)



Stainless Steel **IP69K**

INPUT/OUTPUT

Remote Inputs	Three logic level inputs for Zero, Print, Tare, Units, F1, and more
Standard Outputs	Three set point outputs
Serial Ports	Two serial ports: - Comm 1 RS232 full duplex - Comm 2 RS232 full duplex Or - Comm 1 RS232 full duplex with handshaking - Comm 2 Not available Programmable serial response to ASCII input SMA protocol, broadcast, enquire NCI protocol
USB Host	Printer USB flash memory
Ethernet	The Ethernet port can be configured to support five independent devices, it supports DHCP client/server and Ethernet sockets plus it supports all the serial protocols
Fieldbus	Ethernet IP and Modbus TCP
Optional	Analog output Current Loop/RS485/RS422 USB Device Internal (Ethernet) Wireless 802.11b/g Extreme lightning protection

ELECTRICAL

Power Requirements	<i>Line voltage:</i> 90-264 VAC (110-240 VAC nominal), frequency 50 or 60 Hz, 12 to 36 VDC <i>Power consumption:</i> estimated at 250mA at 12VDC for one 350 ohm weigh sensor and 550mA at 12VDC for fourteen 350 ohm weigh sensors.
Excitation	10 VDC, short circuit protected Supports up to fourteen 350 ohm weight sensors 4 or 6 conductors with sense leads Detachable plug connectors
Analog Signal Input Range	-1 mV/V to 5 mV/V
Analog Signal Sensitivity	0.1 μ V/V/divisions minimum 0.5 μ V/V/divisions recommended
Circuitry Protection	RFI, EMI and ESD protection

OPTIONS

PC Card (choose one)	<i>Analog output card:</i> 0-5 VDC, 0-10 VDC and 4-20 mA <i>Current Loop Card:</i> Current Loop and RS485/RS422 <i>USB device card:</i> Provides USB interface to PC <i>Wireless (Ethernet) internal card:</i> 802.11b/g wireless data communications kit with antenna
ZM-OPTO	Provides setpoint interface
USB Watertight Gland	Rubberized and sealed
Ethernet Watertight Gland	Rubberized and sealed

APPROVALS

Patent	US Patent 672,262
Agencies	EC UK2923 & GB-1446 \leq 10,000divs single interval Class III, \leq 1000divs single interval Class IIII R61 UK/0126/0122 & GB-1447 \leq 10,000divs, Ref(x)=0.02, Scale Interval \geq 0.5g NTEP (US) Class III/IIIL 10,000 d (CC# 11-096A1) OIML R76 Class III and IIII Measurement Canada (AM-5841C) Australia New Zealand CE UL/C-UL IP69K (case)



Avery Weigh-Tronix

www.averyweigh-tronix.com

Avery Weigh-Tronix is an ITW company



Avery Weigh-Tronix is a trademark of the Illinois Tool Works group of companies whose ultimate parent company is Illinois Tool Works Inc ("Illinois Tool Works"). Copyright © 2016 Illinois Tool Works. All rights reserved. This publication is issued to provide outline information only and may not be regarded as a representation relating to the products or services concerned. This publication was correct at the time of going to print, however Avery Weigh-Tronix reserves the right to alter without notice the specification, design, price or conditions of supply of any product or service at any time.

zm305series_spec_501263.indd
V3 AWT35-501263