



Technical Specification

DESCRIPTION

ScaleLink 2 is a technician-friendly, wireless solution specifically designed for the weighing industry! Right out of the box, it can transmit and receive serial communications from all types of weighing equipment, including scale indicators, remote displays, computers and printers. Diagnostic features and data checking take all the guesswork out of ensuring signal strength and data integrity.

Use the ScaleLink 2 in place of any regular serial communications cable. Going wireless can eliminate the need for expensive wiring, trenching and conduits, plus it provides greater protection from transient voltages such as those caused by lightning. The frequency-hopping spread spectrum transmission and multiple radio channels greatly reduce interference issues and ensure solid data communications in variable conditions across the landscape and within buildings.

FEATURES AND BENEFITS

- › Wireless traffic light control for XR-4500TL remote displays
- › Diagnostic features and LED display window to quickly check transmit/receive data, parameter settings, etc
- › No laptops or tablets needed...technicians can make on-the-spot adjustments to baud rates, radio channels, and more
- › Supports all typical scale indicator transmission types: RS-232, RS-422, 20mA Current Loop (Active and Passive)
- › Multi-drop capability for communication with up to 32 units
- › Reduce installation costs with no expensive trenches or conduits
- › Improved lightning protection with no physical connections between system elements
- › Standard NEMA 4 enclosure is ready for tough environments

SPECIFICATIONS

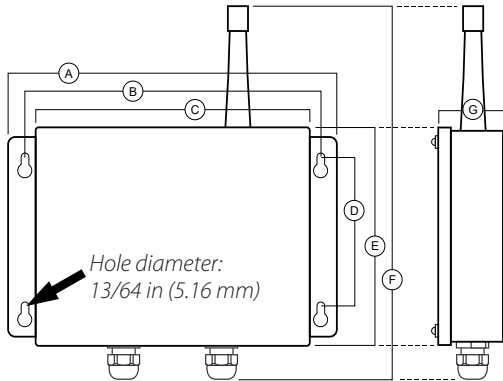
PHYSICAL

Wireless Specs	900 MHz, frequency hopping, 6 selectable radio channels, throughput: 9600 bps, transmit power: 250mW (2.4 GHz available)
Device Communications	RS 232. Fully Configurable. RS-422, 20 mA Current Loop (Active & Passive)
Range	Indoor/Indirect: Up to 300 ft. (90m). Outdoor/Line-of-Sight: Up to 1000 ft. (300m) or more.
Power Requirements	12VDC. May be supplied by indicator or other device directly. AC adapter included.
Enclosure	Powder-coated mild steel. Water-resistant (NEMA 4). Watertight cable glands. Viewing window for Status LEDs
Dimensions	6.75" x 7.75" x 1.625" incl. antenna (171mm x 197mm x 41mm)
Weight	1.7 lb (0.75 kg) approx. w/ adapter
Operating Temperature	14°F to 120°F (-10°C to 50°C)
Approvals	USA, Canada, Australia, Europe
Warranty	Two (2) year standard warranty

SCALELINK 2 WIRELESS TRANSCIVER *Technical Specification*

SCALE TO PC AND/OR OTHER DEVICES *(ScaleLink to ScaleLink)*

SCALE TO MULTIPLE WIRELESS REMOTE DISPLAYS *(Point - Multipoint)*



A	B	C	D	E	F	G	Weight
6¾ in 171 mm	6 in 152 mm	5¾ in 137 mm	3 in 76 mm	4¼ in 108 mm	7¾ in 197 mm	1½ in 43 mm	1.7 lb 0.75 kg

Avery Weigh-Tronix

www.averyweigh-tronix.com

Avery Weigh-Tronix is an ITW company



Avery Weigh-Tronix is a trademark of the Illinois Tool Works group of companies whose ultimate parent company is Illinois Tool Works Inc ("Illinois Tool Works"). Copyright © 2020 Illinois Tool Works. All rights reserved. This publication is issued to provide outline information only and may not be regarded as a representation relating to the products or services concerned. This publication was correct at the time of going to print, however Avery Weigh-Tronix reserves the right to alter without notice the specification, design, price or conditions of supply of any product or service at any time.

ScaleLink2_spec_501203.indd
V3 AWT35-501203